



Easy fill in the blank coupling specification (Just fill in then fax)

Important Information:

Your Name: _____

Your Company: _____

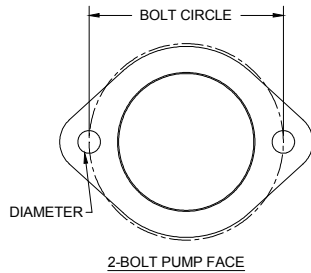
Phone: _____

Fax: _____

Email: _____

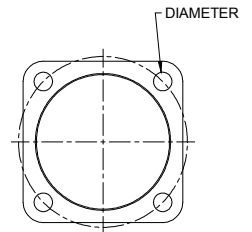
Engine HP: _____

Engine Torque: _____
@ RPM: _____



2-BOLT PUMP FACE

BOLT CIRCLE _____
DIAMETER _____



4-BOLT PUMP FACE

FLYWHEEL DATA

PILOT DIA _____
BOLT CIRCLE _____
OF HOLES _____

FLYWHEEL HOUSING DATA

PILOT DIA _____
BOLT CIRCLE _____
O.D. _____
OF HOLES _____

FLYWHEEL TO HOUSING

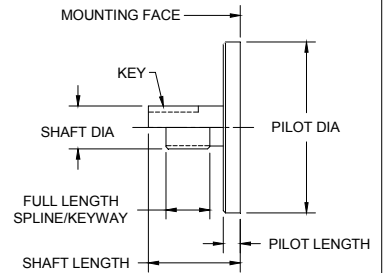
BACKSET _____

STANDARD DATA

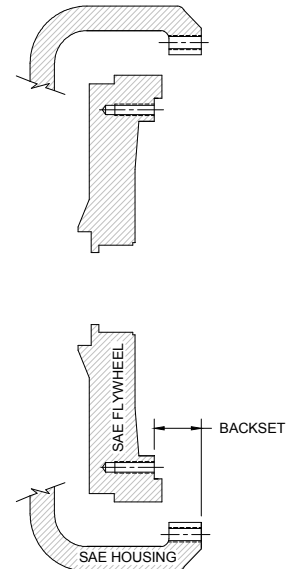
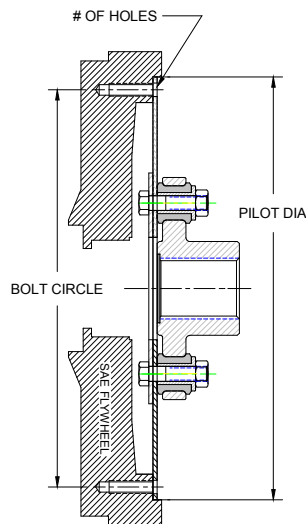
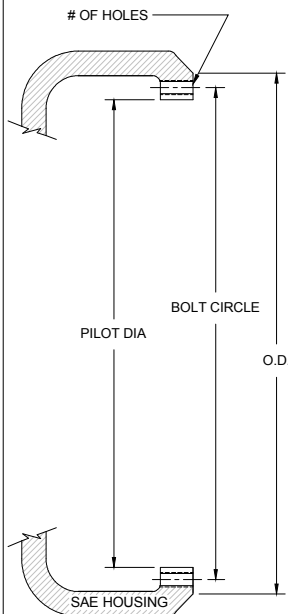
PILOT DIA _____
SHAFT DIA _____
SHAFT LENGTH _____
KEY WIDTH _____
FULL KEY/SPLINE LENGTH _____
PILOT LENGTH _____

SPLINE DATA

OF TEETH _____
D.P. _____
P.A. _____



PUMP SHAFT INFORMATION



Hayes Manufacturing, Inc.

6875 U.S. 131

Fife Lake, MI 49633

Phone: (231) 879-3372 Fax: (231) 879-4330

Visit us at www.hayescouplings.com